

Specification Sheet LX 1226

Balcony Drainage Series V-AK

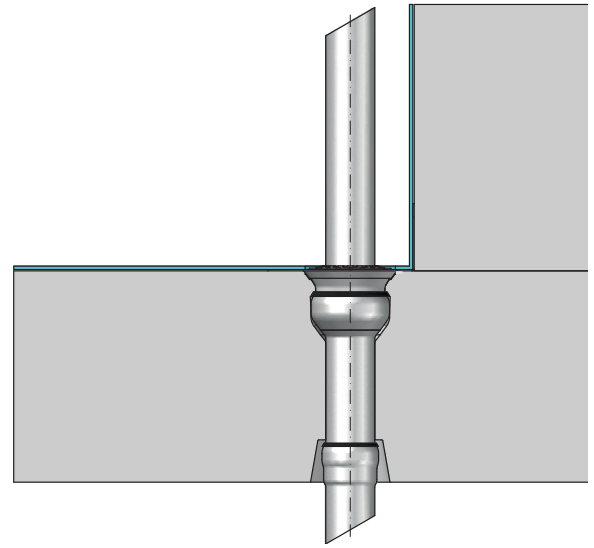
with upedged bonding flange when using liquid plastic

Main drainage

Gravity flow

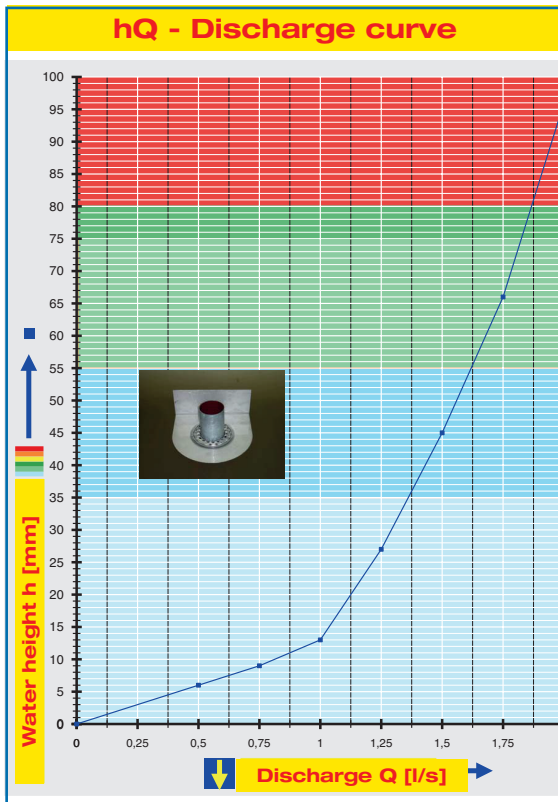
Silent Power

Discharge:	1.3 l/s
Water height:	35 mm
Roof penetration:	-
Diameter:	DN 70
LX-Number:	LX 1226
Weir height:	0 mm
Drain:	ventilated
Downpipe:	ventilated
Downpipe height:	2.75 m
Drainage:	into ground pipe

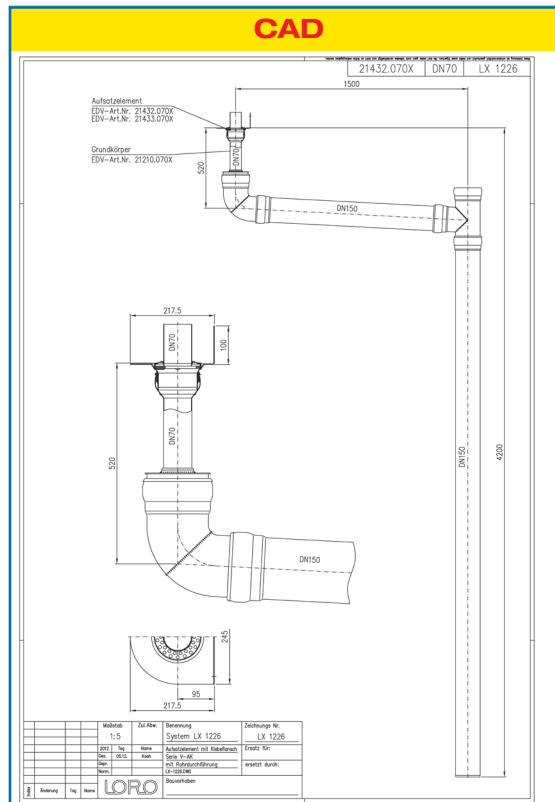


LX 1226 Piece list

Please choose set up elements and extension cartridge on page 2!



System power

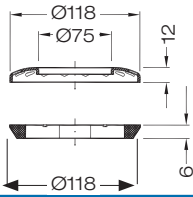


System shape

Water height	mm	10	15	20	25	30	35	40	45	50	55	60	65	70	75	
Discharge	l/s	0,80	1,05	1,15	1,20	1,25	1,30	1,35	1,50	1,55	1,6	1,65	1,70	1,75	1,80	
		Silent														

Please choose suitable set up elements and extension unit!

DN 70

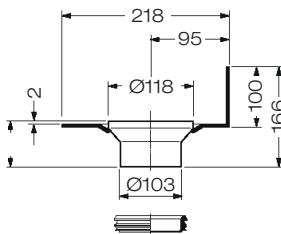


Strainer unit

consisting of: strainer, round, with pipe penetration, support ring

Art.-No. 20422.070X

Weight: 0.12 kg



one-piece version

LX1226-12X

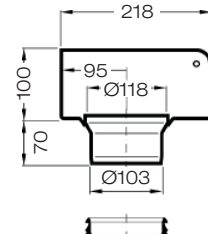
Set up elements, Series V-AK

with upedged bonding flange, for sealing with liquid plastic, made of stainless steel

for wall area

Drain Art.-No. 20430.070X

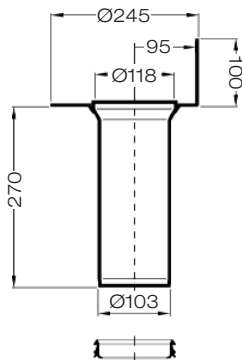
Weight: 1.45 kg



for wall corner area

Drain Art.-No. 20450.070X

Weight: 1.5 kg



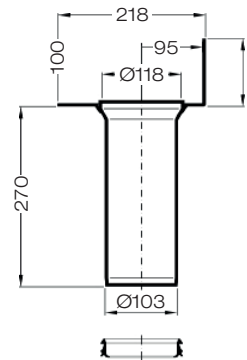
two-piece version

LX1226-13X

Extension units

for thermally insulated balconies, Series V-AK with bonding flange, for sealing with liquid plastic, consisting of: extension unit with bonding flange, sealing element DN 100

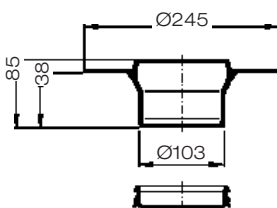
for wall area
Art.-No. 20435.070X
Weight: 2.1 kg



for wall corner area

Art.-No. 20455.070X

Weight: 2.3 kg



Set up element with socket

for thermally insulated balconies, Series V-FL with bonding flange, for sealing with liquid plastic

Art.-No. 20426.070X

Weight: 1.0 kg

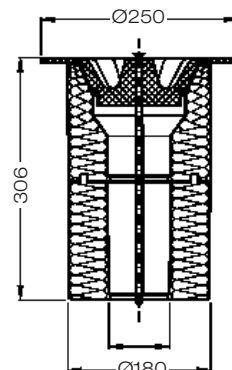


Base unit

Art.-No. 21400.070X

consisting of:

- 1 **Formwork mushroom**
Art.-No. 18110.070X
- 2 **Base body**
Art.-No. 21210.070X
- 3 **Formwork dome**
Art.-No. 18100.070X



Thermal insulation base unit

consisting of:

formwork mushroom, thermal insulation body and fastening screw

Art.-No. 21401.070X

Weight: 0.7 kg

Attention:

The base body 21210.070X has to be ordered separately!